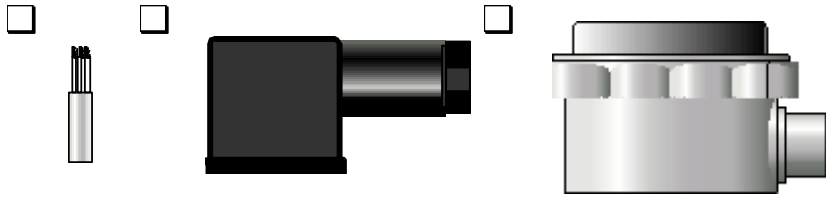


Magnetic Float Switches



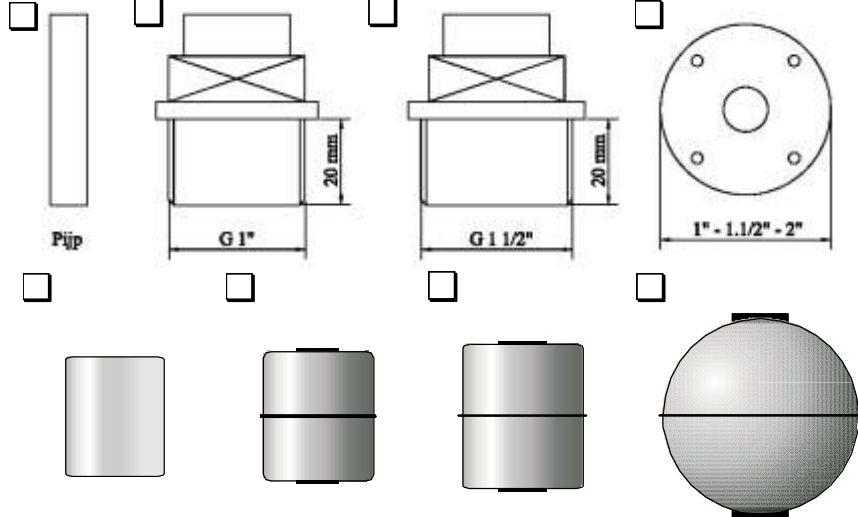
- Design according to client wishes
- Safe, environmental friendly and maintenance free construction
- Pressureless floatsystem
- Temperature till 180°C possible
- Measurement almost unaffected by SG variations
- Standard material Stainless Steel 316, other materials on request
- Temperature transmitter inside the float switch possible



L:m

Material: PA
IP 65

Material: ABS
IP 67



PFA foam float
Ø 20 mm
P= 4 bar
T= < 100°C
sg= ≥0,8 kg/m³

SS 316 float
Ø 27 mm
P= 10 bar
T= < 160°C
sg= ≥0,8 kg/m³

SS 316 float
Ø 44 mm
P= 25 bar
T= < 160°C
sg= ≥0,7 kg/m³

SS 316
Ø 60 mm
P= 25 bar
T= < 160°C
sg= ≥0,6 kg/m³

Electrical data of the switch:
Max. supply
Max. current
Max. rating

230 VAC / VDC
0,4 A
8 W / VA

Switch position:

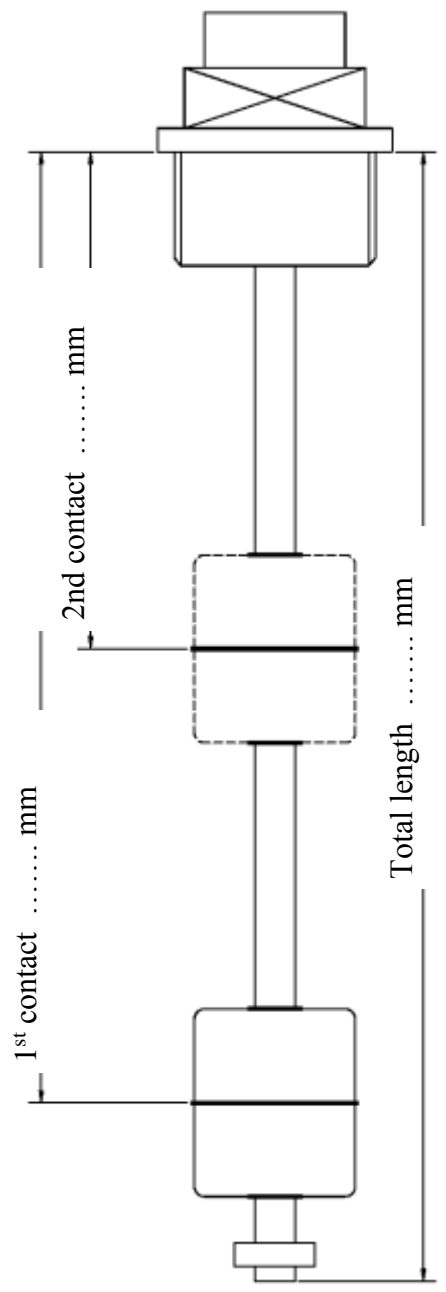
The normal position of the float is lower then the switching point.
If the float is on the switching point, the following should happen:

Float 1 (low)
Float 2 (top)

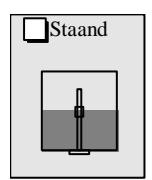
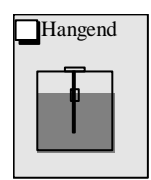
Make / Brake / Change over
Make / Brake / Change over

Name
Company
Address
Postcode
Telephone
E-mail
Qty

City
Fax
Del. time



Mounting position:



Process data:

Pressure bar
Temp. °C
S.G. kg/m³



Hadro Techniek B.V.
Westbaan 270
NL - 2841 MC Moordrecht

Tel +31 182 527190
info@hadro.nl
www.hadro.nl

